

### STAINLESS STEEL MANUAL HIGHLIFTER

This manual highlifter with high lifting capacity is particularly suitable for fishing, slaughtering and pharmaceutical industries, i.e. for all those places where the requirements in terms of hygiene and health are particularly stringent. The highlifter is made of stainless steel, thus it can withstand humid or aggressive environments and can be cleaned with strong chemical products.

For particularly aggressive environments, the pallet truck can be made of acid-resistant stainless steel. This manual device is provided with "quick lift" function. Load lowering is controlled by a release handle, which allows the operator to increase the lowering speed at any level.

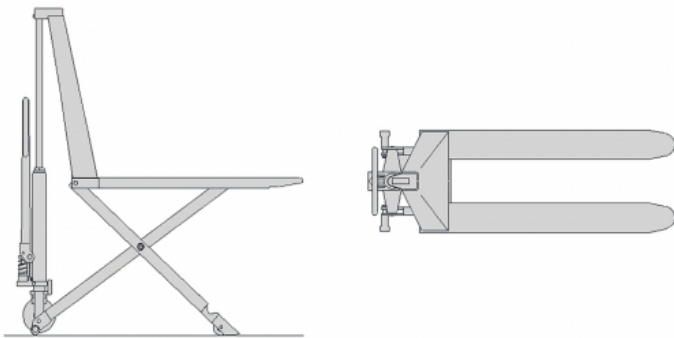
The stainless steel highlifter features stainless steel frame, tiller arm, shafts, pins, moulds and screws. The lifting cylinder, scissors legs and battery compartment are also made of stainless steel.

- ✓ **LOAD CAPACITY UP TO 1.000 KG**
- ✓ **SPECIAL CONSTRUCTIONS UPON REQUEST**
- ✓ **SPECIAL DIMENSIONS UPON REQUEST**

### SOME OPTIONALS

 **USE IN COLD STORE**

<b>Type</b>	Stainless steel forklift trucks	<b>Class</b>	Stainless steel manual and semi-electric pallet trucks
<b>Load capacity (Kg)</b>	1000	<b>Lifting capacity (mm)</b>	800



## Characteristics

Portata	1000 kg
Outside width	560 mm
Fork length	1200 mm
Height of forks from ground	90 mm
Steering wheels	Nylon
Load wheels	Nylon
Weight	135 kg